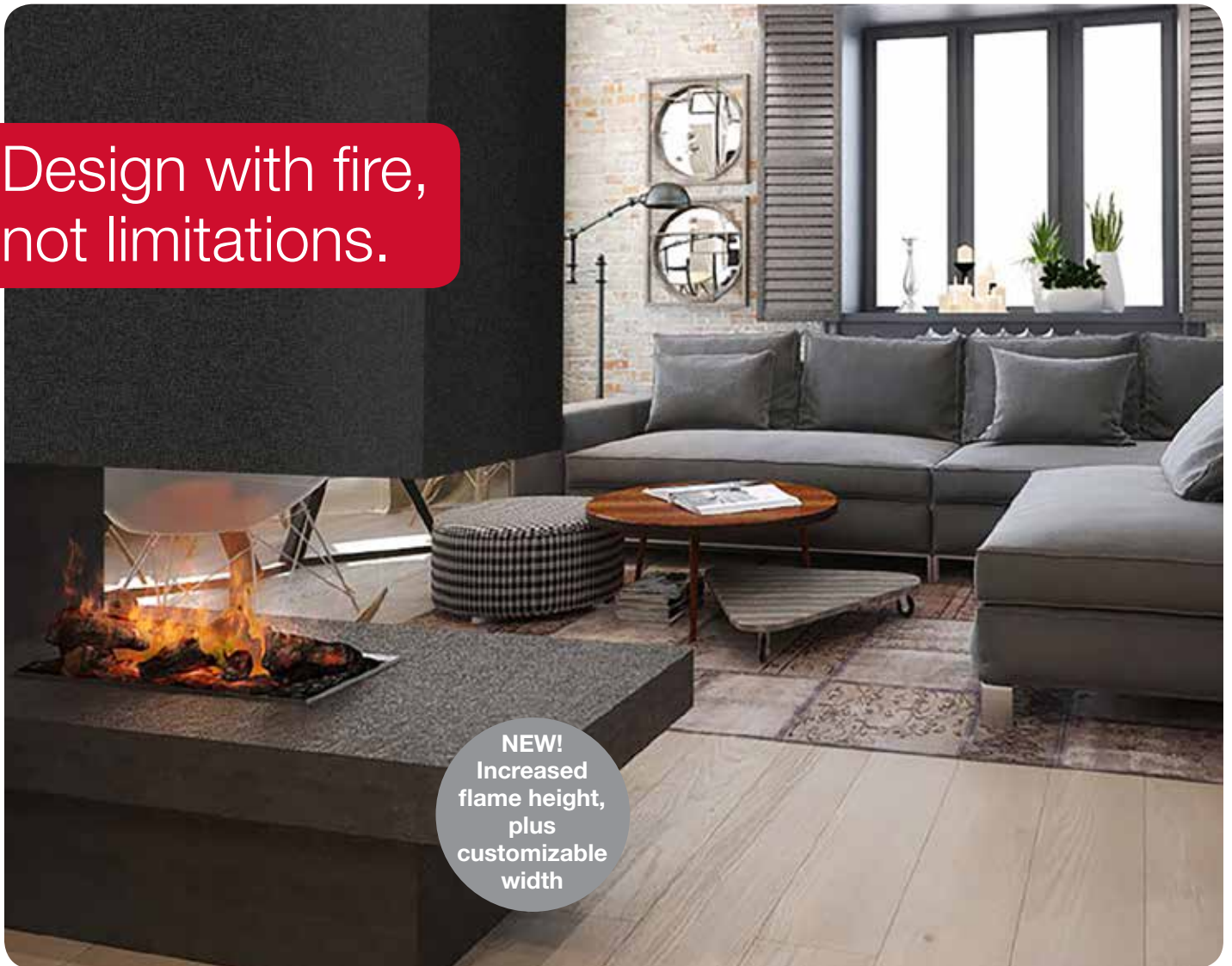




Opti-myst® Pro 500 Built-in Electric Cassette

CDFI500-PRO

Design with fire,
not limitations.



NEW!
Increased
flame height,
plus
customizable
width

Picture the perfect fireplace: any length, any location, and any number of sides. Forget about venting, gas lines and hot glass, because they are a thing of the past. Now imagine flames made of water that you can reach out and touch. The revolutionary Opti-myst by Dimplex reinvents the electric fireplace and makes it easier than ever to add a dramatic fire feature to any space. Single-sided, corner, 3-sided, see through 360° view, the possibilities are endless; so go ahead, play with fire.



Opti-myst® Pro 500 Built-in Electric Cassette

CDFI500-PRO

Customizable Flame
Shown with slot inserts
for a contemporary
ribbon of flame.



Customizable Flame
Shown with spacer inserts
for a more organic flame.



Optional Pro 500 Log Kit (CDFILOG)

Optional Media Kits



CDFI500-BLKRCK



CDFI500-RVRCK



CDFI500-DWSKIT

120 Volts | 230 Watts | 785 BTU

Model #	Description	Lbs/Kg	UPC	Wty.	Carton Dimensions (WxHxD)		Cube	
					inches	cm	Ft³	M³
CDFI500-PRO	Opti-myst® Pro 500 Cassette	24.2 / 10.9	781052 113053	2 yr.	24-3/8 x 13-7/8 x 17-3/4	62.0 x 34.0 x 45.0	3.5	0.09
CDFILOG	Pro 500 Log Kit	28 / 12.7	781052 103238	1 yr.	23-1/2 x 11 x 17-1/2	59.7 x 27.9 x 44.5	2.62	0.07
CDFI500-TRAY	Media Tray	3.6 / 1.65	781052 117372	1 yr.	22-3/8 x 3-1/8 x 14-3/4	56.62 x 7.9 x 37.37	0.6	0.02
CDFI500-BLKRCK	Black Rock Media	12.1 / 5.5	781052 120983	1 yr.	14 x 3-1/4 x 6-1/4	6.34 x 1.44 x 2.82	0.16	0.00
CDFI500-RVRCK	River Rock Media	11.6 / 5.21	781052 121003	1 yr.	14 x 3-1/4 x 6-1/4	6.34 x 1.44 x 2.82	0.16	0.00
CDFI500-DWSKIT	Driftwood Media	0.99 / 0.44	781052 121034	1 yr.	17-5/8 x 3-7/8 x 5-3/4	44.5 x 9.60 x 14.3	0.22	0.00
CDFIPLUMB-KIT	Plumb Kit	0.7 / .32	781052 103221	1 yr.	15-1/2 x 3-1/2 x 6-1/2	39.4 x 8.9 x 16.5	0.20	0.00
CDFI-PLUGKIT	Plug Kit	1.2 / .54	781052 105591	1 yr.	11-1/4 x 3-1/4 x 4	28.7 x 8.1 x 10.2	0.08	0.00
CDFI-TMHEAT	Opti-myst® Heater	7 / 3.2	781052 121058	1 yr.	17-3/4 x 9-7/8 x 5-3/4	45.0 x 25.0 x 14.5	0.47	0.02

Features

- Opti-myst® Flame Effect**
Revolutionary ultrasonic technology produces a fine mist to create the illusion of flames and smoke.
- Modular Design**
Multiple 20" (50.8 cm) and 40" (101.8 cm) cassettes can be combined in series to achieve the desired length for dramatic linear installations impossible to achieve with gas fires.
- Customizable Flame Width**
Includes spacers and slots for customizable flame width and pattern.
- Adjustable Flame Intensity**
Control the desired volume of flame to suit.
- Continuous Water Supply**
Optional plumbed water supply kit provides continuous operation without refilling water tanks.
- All-day Flames**
Fill the water tank with tap water and enjoy up to 8 hours of continuous flames.
- Crackling Sound Effects**
Enjoy a more complete sensory experience with the sound of natural wood fire.
- Frame, Wire and Finish**
Basic installation requires fewer tradespeople, no gas lines, venting or chimney.
- Zero Emissions**
The most sustainable fireplace option; no emissions and 100% efficient.
- Energy Efficient**
Uses low-energy LED lights for low-cost operation.
- Heat-free Operation**
Designed with the sole purpose of providing a stunning visual fire feature.
- Sight and Sound Remote**
Control the flames and crackling sound effects at the touch of a button.

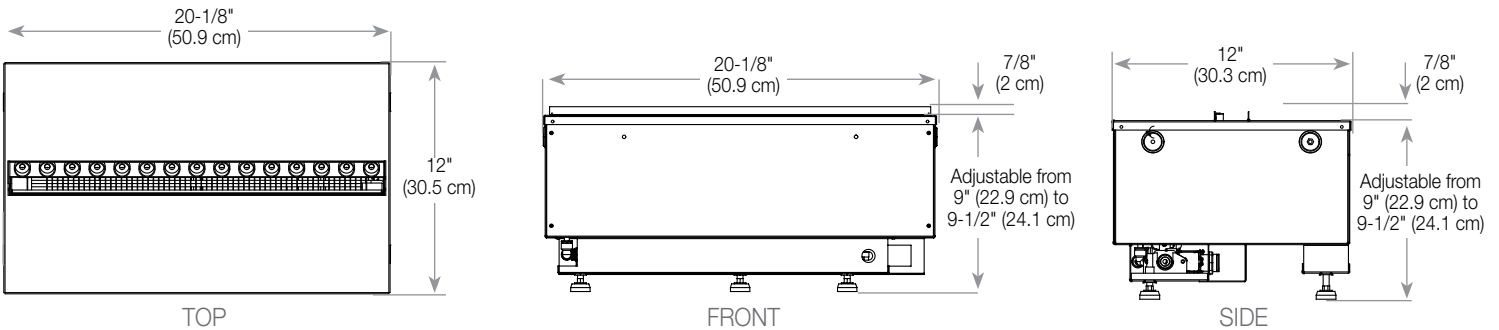
Opti-myst® Pro 500

Built-in Electric Cassette

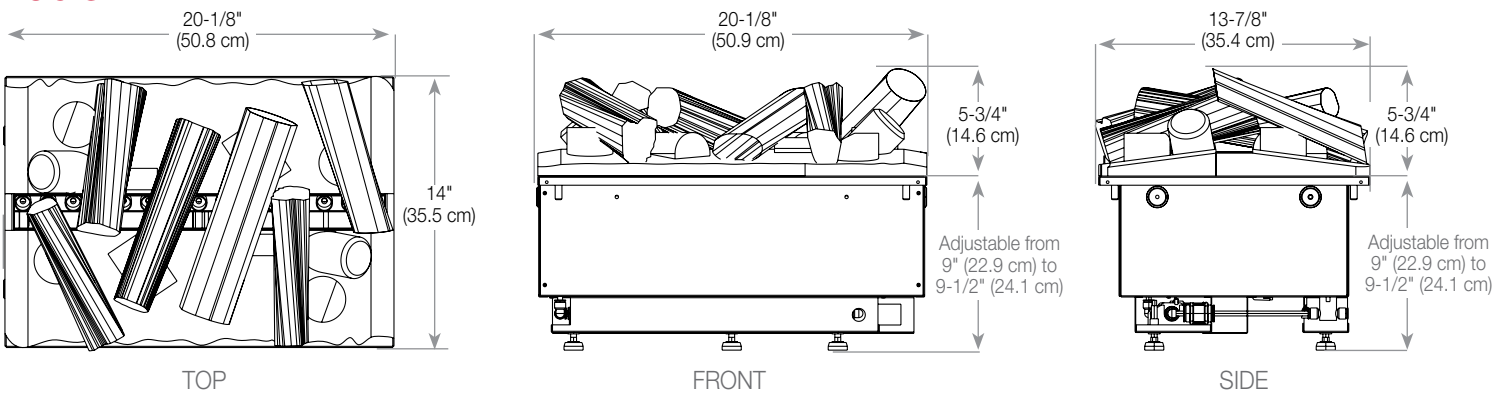
CDFI500-PRO

Product Dimensions:

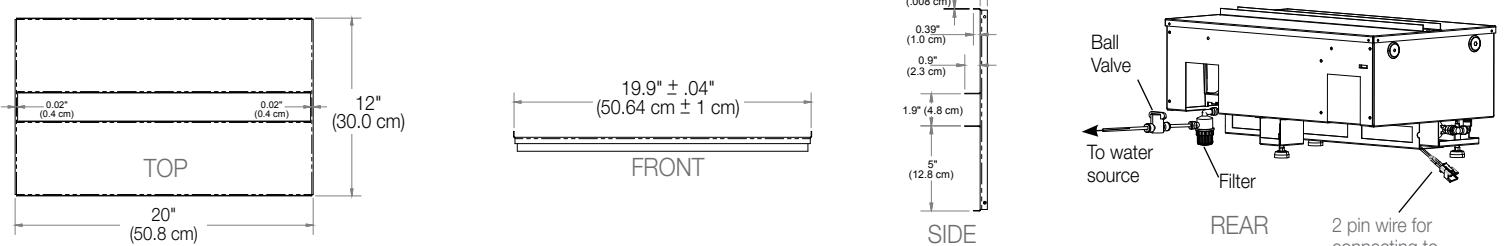
MEDIA PLATE



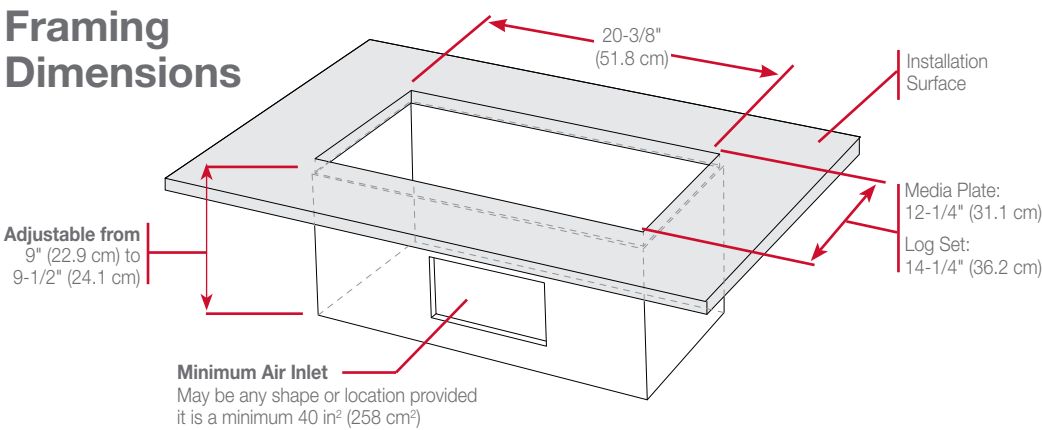
LOG SET



MEDIA TRAY



Framing Dimensions



Caution: When determining a location for the Opti-myst® cassette, ensure that the unit will not be susceptible to drafts, vents, ceiling fans and other air currents. Similar to a candle, large movements of air will affect the unit's ability to create and maintain the flame effect.

Bluetooth Receiver

Must be connected for operation. Can be recessed inside the wall or installed for remote control accessibility.

